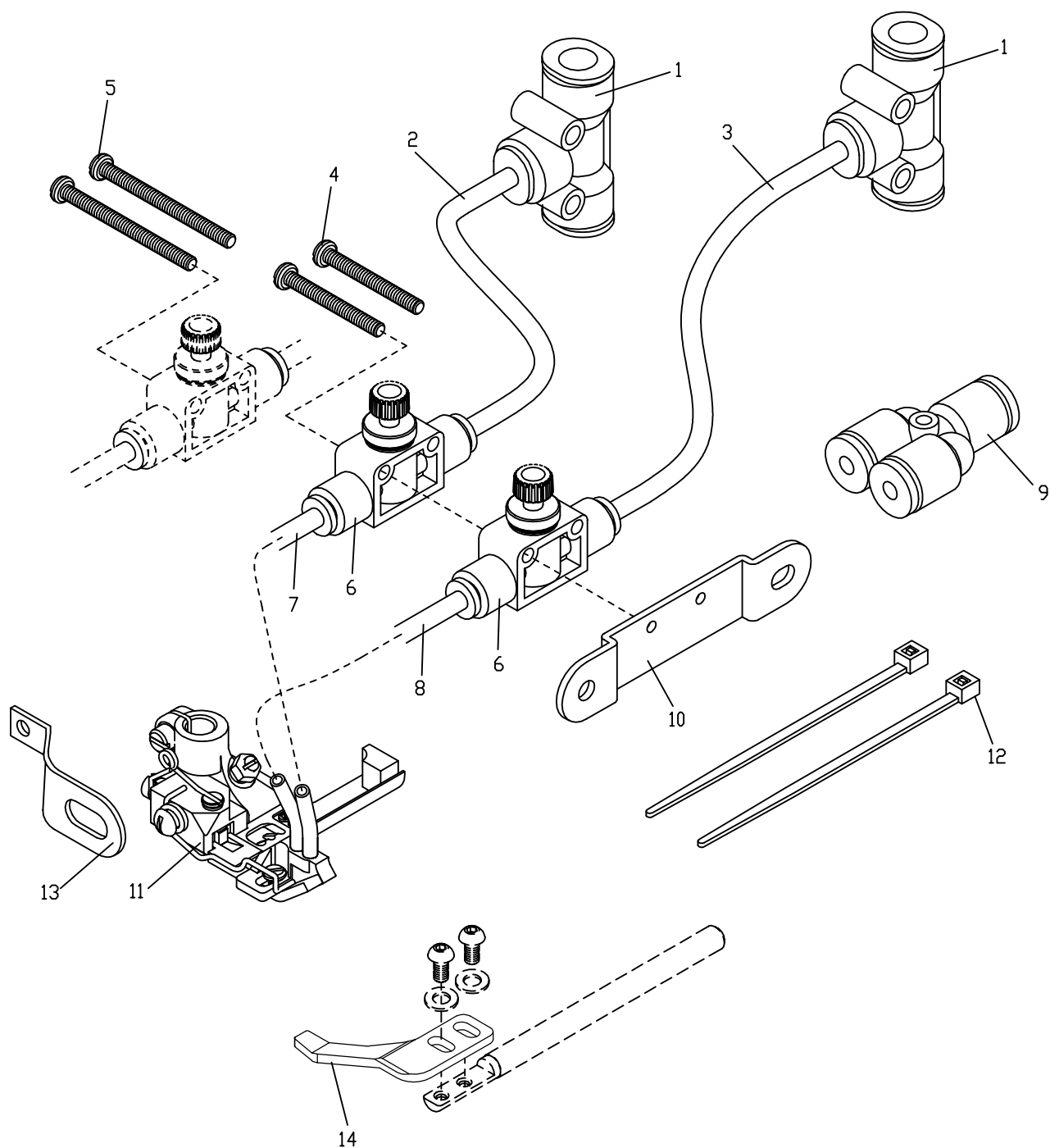


1. AF01A / AF01B / AF01C / AF01D 吹氣式壓腳 Air Blowing Type Presser Foot



序號 Ref.No.	規格 TYPE	物料編號 Parts No.	針數 Number Of Needle 針距 Distance Of Needles
11	A	5222AF85400	2 Needle/4.0
	B	5222AF85480	2 Needle/4.8
	C	5222AF85560	3 Needle/5.6
	D	5222AF85640	3 Needle/6.4

1. AF01A / AF01B / AF01C / AF01D 吹氣式壓腳 Air Blowing Type Presser Foot

序號 Ref. No.	物料編號 Parts No.	名稱 Description	單位用量 Amt. Req.
1	4WPC000101	T 型管接頭 T Connector -----	2
2	91060101007	φ 4空氣管 Air Tube (L= 600mm) -----	1
3	91060101007	φ 4空氣管 Air Tube (L= 230mm) -----	1
4	8MC03202606D	螺絲 Screw (M3-0.5*26) -----	2
5	8MC03203506D	螺絲 Screw (AF10105 M3-0.5*35) -----	2
6	4WPC000114	節流閥 Speed Controller -----	2
7	91060101007	φ 4空氣管 Air Tube (L= 360mm) -----	1
8	91060101007	φ 4空氣管 Air Tube (L= 350mm) -----	1
*9	4UT12A0313	φ 4 Y型管接頭 Y Connector -----	1
10	4WPC0001131	支架 Holder Bracket -----	1
11	-----	壓腳 Presser Foot(See Left Page) -----	1
12	4UTB020306	束線 Plastic Binding Wire -----	2
13	2210390129	護指環 Safety Plate Holder -----	1
14	2270850321	壓布板 Fabric Presser -----	1

* 特註品 : Gustom-made Item

註: AF01□ 於CXM2085 / UCP切線時，屬標準配件

□請依需求規格填入訂購 (A~D)

可應用機型CT9085 / CTD9085 / CXD2085 / CXM2085

Remarks:

It's standard equipment when ordering thread trimmer of CXM2085 / UCP.

□ : Please specify needle distance code number (A thru D) when ordering individually.

Applicable to CT9085 / CTD9085 / CXD2085 / CXM2085